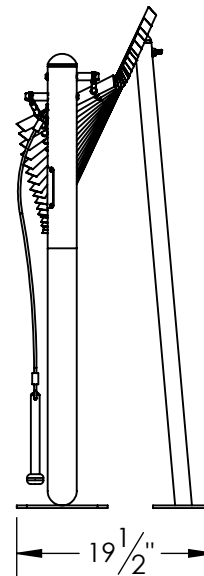
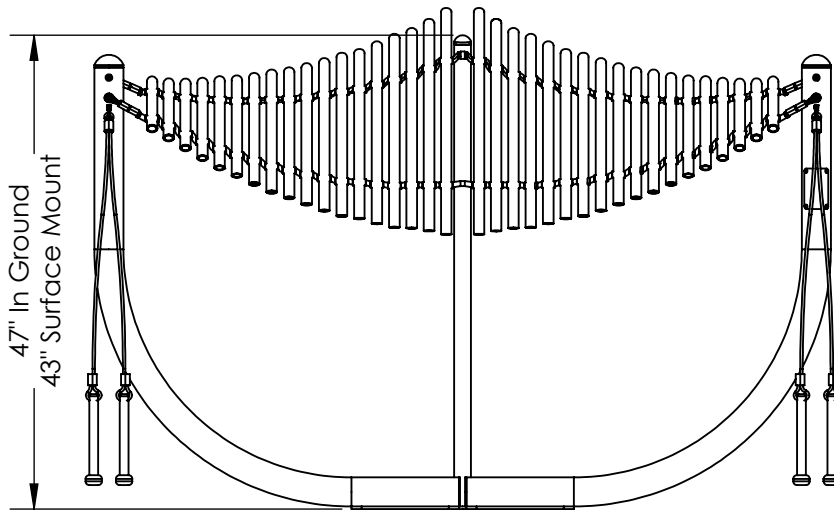
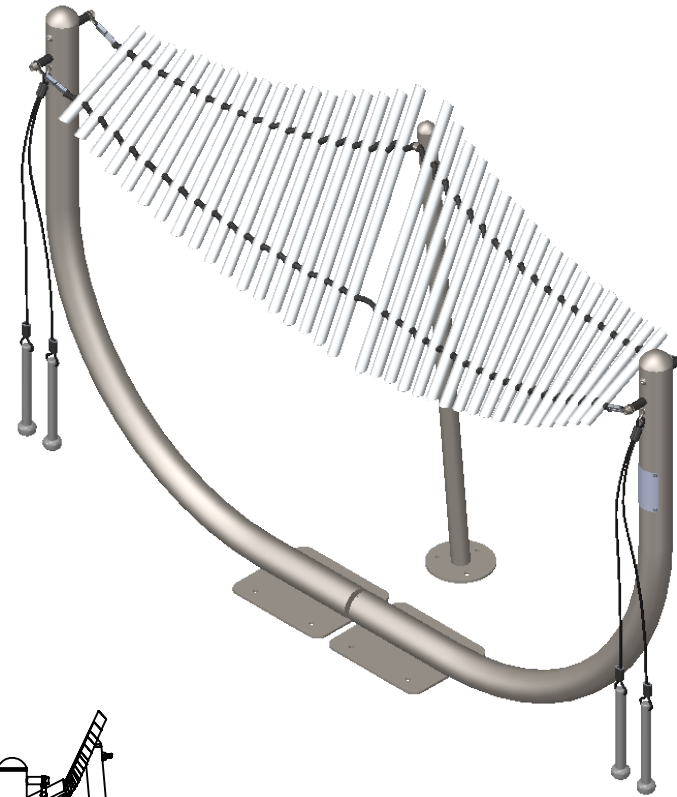
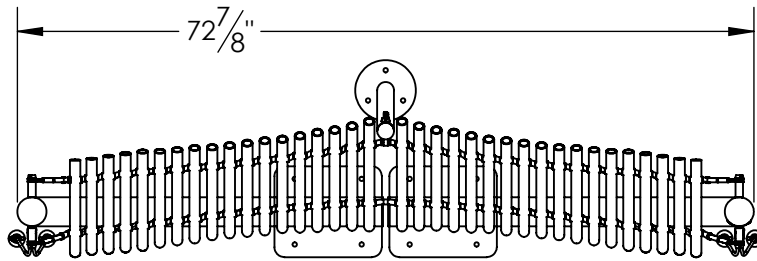


MANTA RAY INSTALLATION GUIDE

FREENOTES HARMONY PARK
194 BODO DRIVE, UNIT F
DURANGO CO 81303
TEL: (970) 375-7825
FAX: (970) 247-0856
WWW.FREENOTESHARMONYPARK.COM

PROPRIETARY AND CONFIDENTIAL
THE INFORMATION CONTAINED IN THIS
DRAWING IS THE SOLE PROPERTY OF
FREENOTES HARMONY PARK. ANY
REPRODUCTION IN PART OR AS A
WHOLE WITHOUT THE WRITTEN
PERMISSION OF FREENOTES HARMONY
PARK IS PROHIBITED.



Main Features:

- C Major Diatonic
- Powder Coated Steel Frame
- Anodized Aluminum Chimes
- Stainless Steel Hardware

Contents:

- SHEET 2 - In Ground and Surface Mount Installation w/ Parts List
- SHEET 3 - Chime Installation

Weights:

- Instrument Weight, 116lbs.
- Boxed Instrument Weight, 140lbs.

TITLE:
Manta Ray - Installation Guide

DWG. NO. MRAY-INSTALL

REVISION: A

SCALE: 1:19

DATE: 2/7/2018

SHEET 1 OF 3

Step 1: Determine installation location. Verify concrete footing is a minimum of 36" long x 24" wide x 6" thick. If the concrete pad is at an angle, steel washers are required to act as shims (Shims not provided). If there is not already an existing pad, approximately (5) 80lb. bags will be needed. Allow concrete to cure per concrete manufacturers guidelines.

(If a In-Ground appearance is desired recess the concrete pad 4" below finished grade)

Step 2: With two people place the Uprights individually onto the concrete pad and mark the center of the holes on the surface mount plates. Use the diagram below as a guide for Upright placements. After you have made your marks, set aside the Uprights in order to drill for anchor holes. With a hammer or rotary drill, drill through concrete at marked locations. Drill to a minimum depth of 4". A 3/8" masonry drill bit will be needed.

Step 3: Place the Uprights back over the drilled out holes. Insert provided anchor bolts into aligned holes. Position anchor nut so that it is flush with the top of the bolt. Pound anchor bolts into the hole until the anchor washer is flush with the Upright Bases. Tighten anchor bolts until they are snug. Cover remaining bolt sections with provided nut caps.

Step 4: Verify the correct placement, levelness, and finished height of the instrument. Also check for sufficient clearance around the instrument. A 36" perimeter around the instrument is recommended for wheelchair accessibility.

Step 5: If installing onto wet concrete, us the wet set anchor manufacturers guidelines for installation procedures.

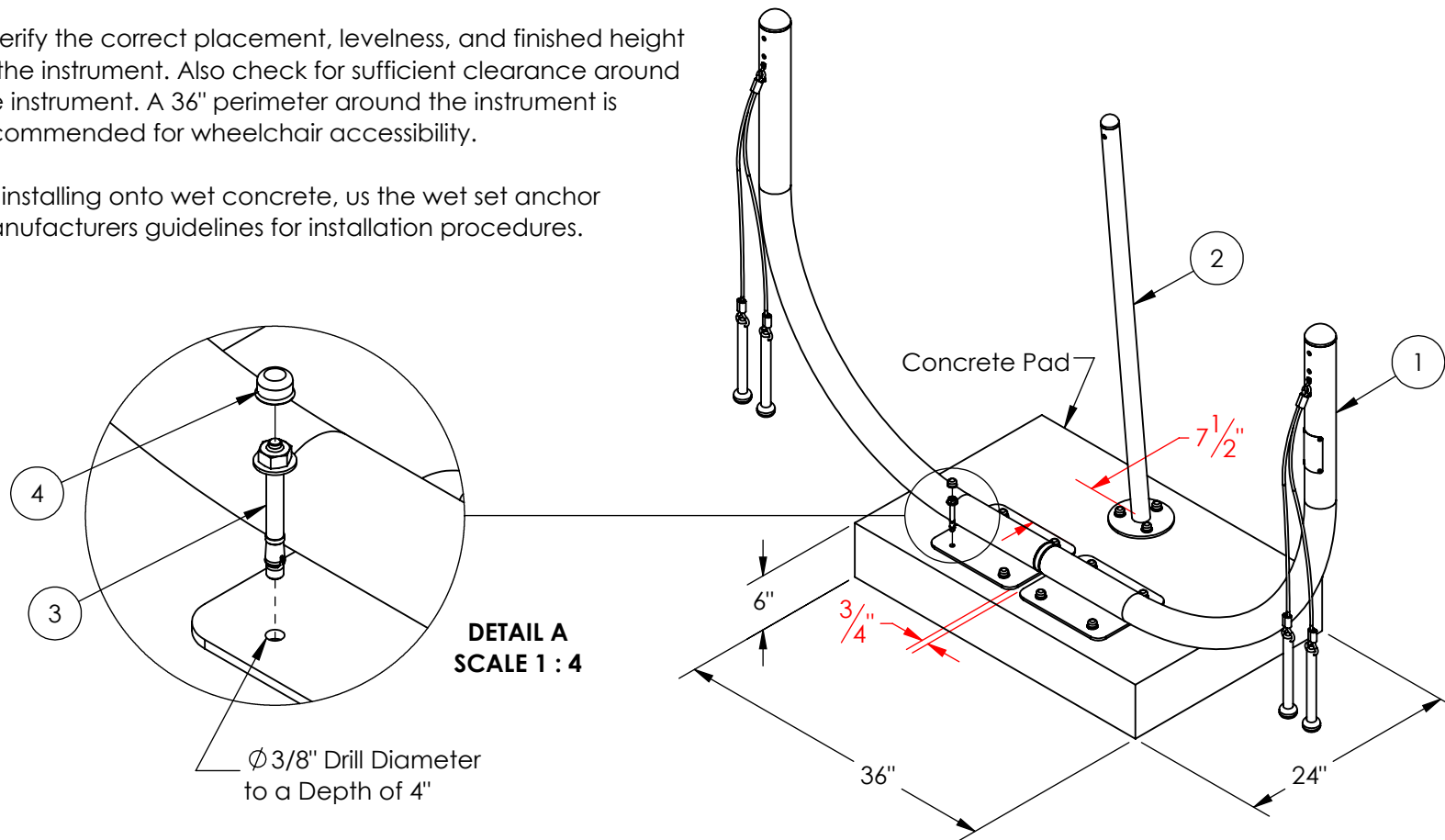
Parts List:

| ITEM NO. | PART DESCRIPTION | QTY. |
|----------|--|------|
| 1 | Steel Outer Upright | 2 |
| 2 | Steel Inner Upright | 1 |
| 3 | 3/8"-16 Wedge Expansion Anchor, 3.75"lg. SS | 11 |
| 4 | 35/64" Hex Nut Cap | 11 |
| 5 | Manta Ray Chime Assembly | 1 |
| 6 | 3/8"-16 Button Head Screw, 5"lg. SS, Hex Drive | 4 |
| 7 | 3/8"-16 Tri-Groove Nut, Zn | 5 |
| 8 | ø13/32" ID x ø7/8" OD, Washer SS | 8 |
| 9 | ø.385" ID x ø3/4" OD Spacer, 1.5"lg. LDPE | 4 |
| 10 | Blue Locktite | 1 |
| 11 | #30 Square-Drive Socket | 1 |



FREENOTES HARMONY PARK
 194 BODO DRIVE, UNIT F
 DURANGO CO 81303
 TEL: (970) 375-7825
 FAX: (970) 247-0856
 WWW.FREENOTESHARMONYPARK.COM

PROPRIETARY AND CONFIDENTIAL
 THE INFORMATION CONTAINED IN THIS DRAWING IS THE SOLE PROPERTY OF FREENOTES HARMONY PARK. ANY REPRODUCTION IN PART OR AS A WHOLE WITHOUT THE WRITTEN PERMISSION OF FREENOTES HARMONY PARK IS PROHIBITED.



TITLE: In Ground and Surface Mount Installation with Parts List
 DWG. NO. MRAY-INSTALL

REVISION: A
 SCALE: 1:16
 DATE: 2/7/2018
 SHEET 2 OF 3

